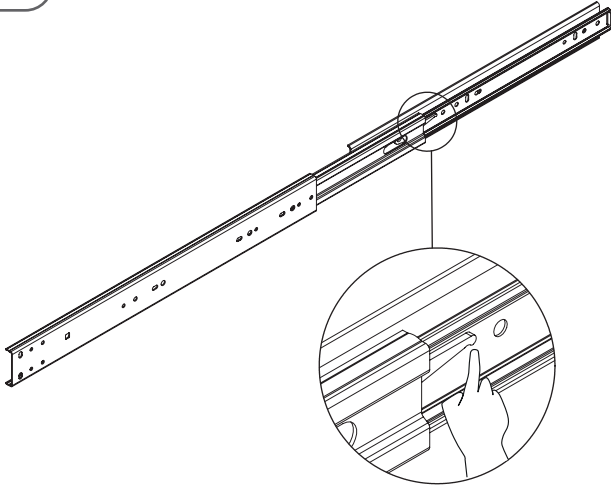
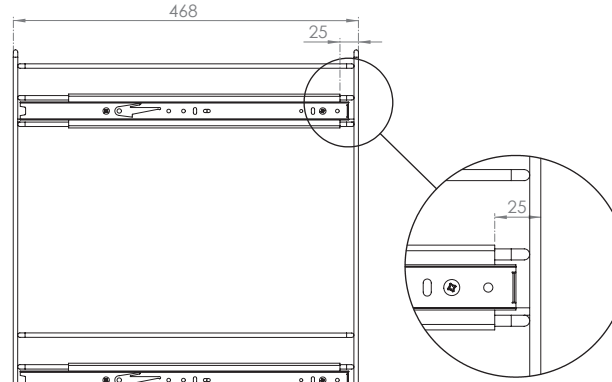


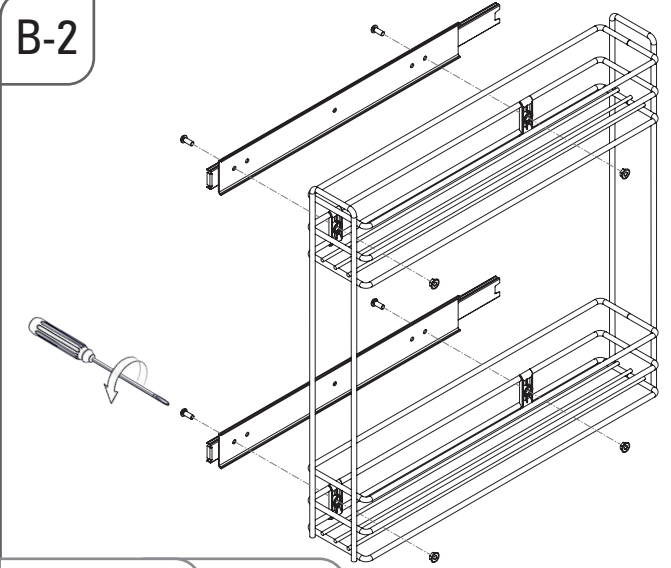
A-1



B-1



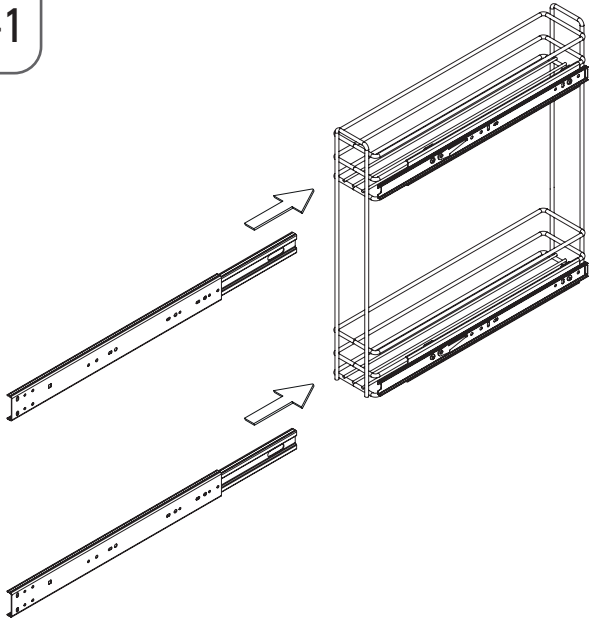
B-2



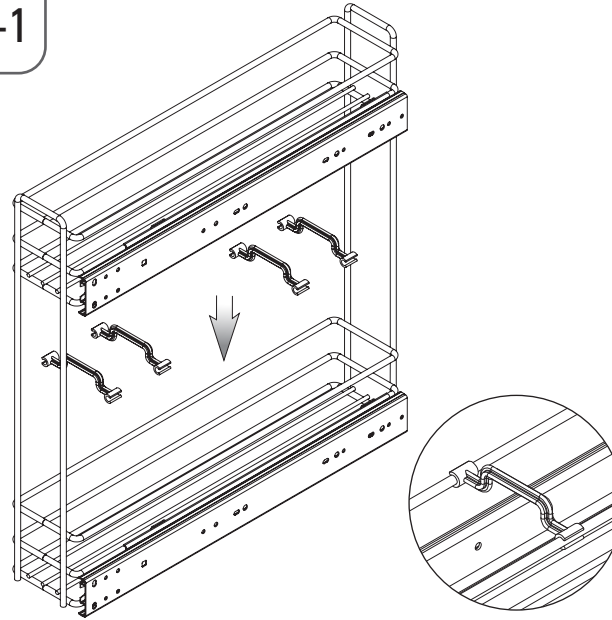
4x YSB
M5x12

4x
NUT

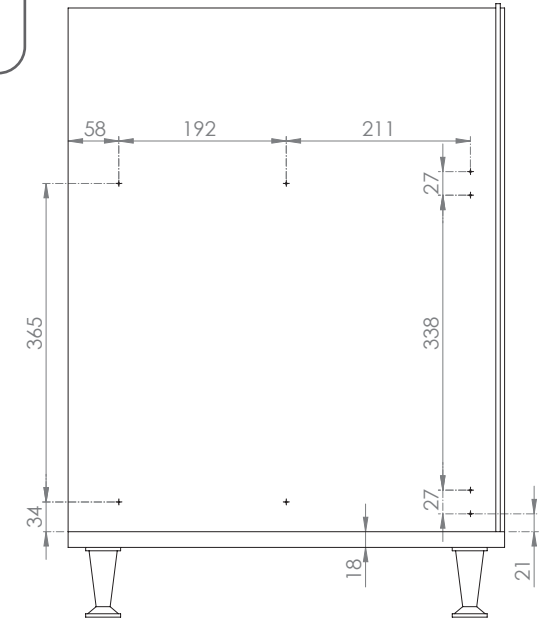
C-1



D-1

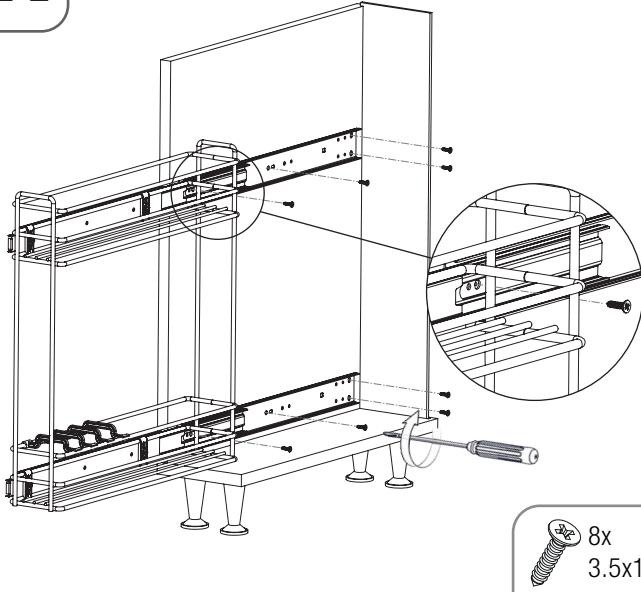


E-1



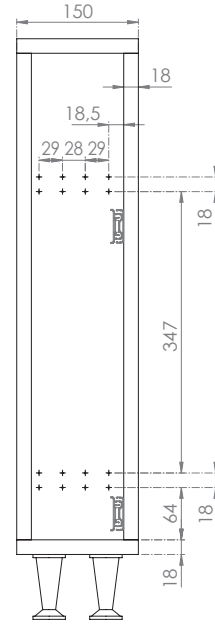
- YANDAN TELESKOPIK RAYLI ŞİŞELİK MONTAJ ŞEMASI (KROM)
- BOTTLE HOLDER WITH SIDE TELESCOPIC RAIL MOUNTING INSTRUCTIONS (CHROME)

E-2

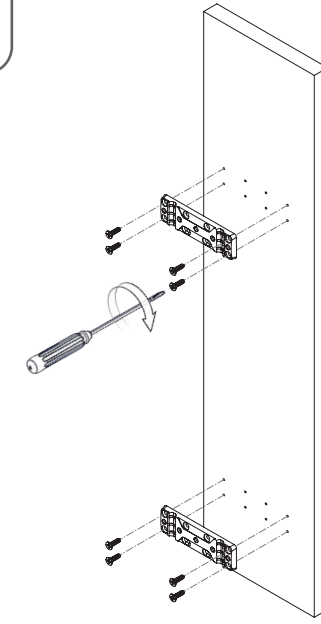


8x
3.5x16

F-1

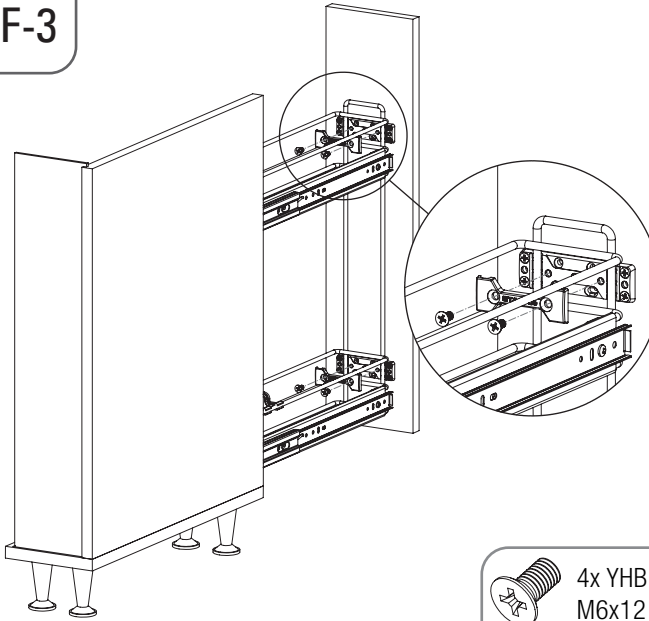


F-2



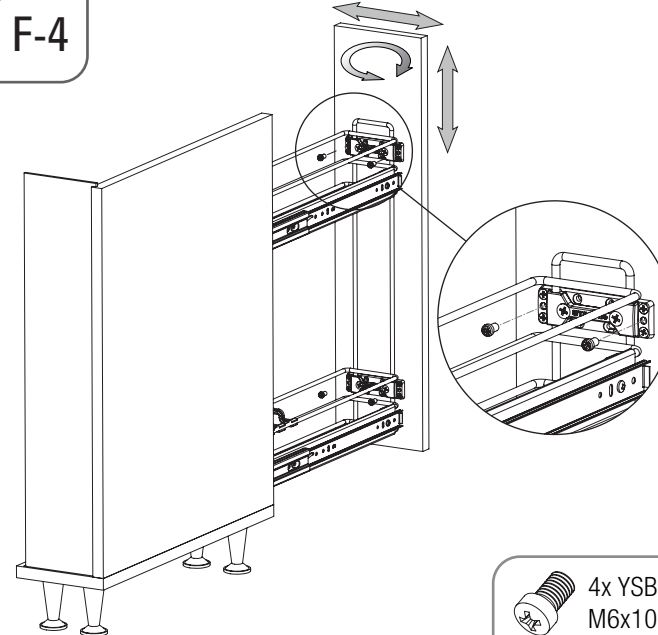
8x
3.5x16

F-3



4x YHB
M6x12

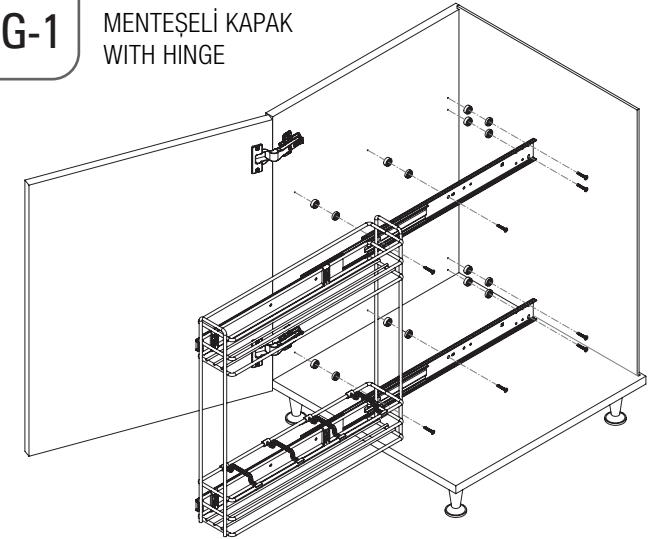
F-4



4x YSB
M6x10

G-1

MENTEŞELİ KAPAK
WITH HINGE



8x Support
Part (Thin)

8x Support
Part (Thick)

8x
4x25